

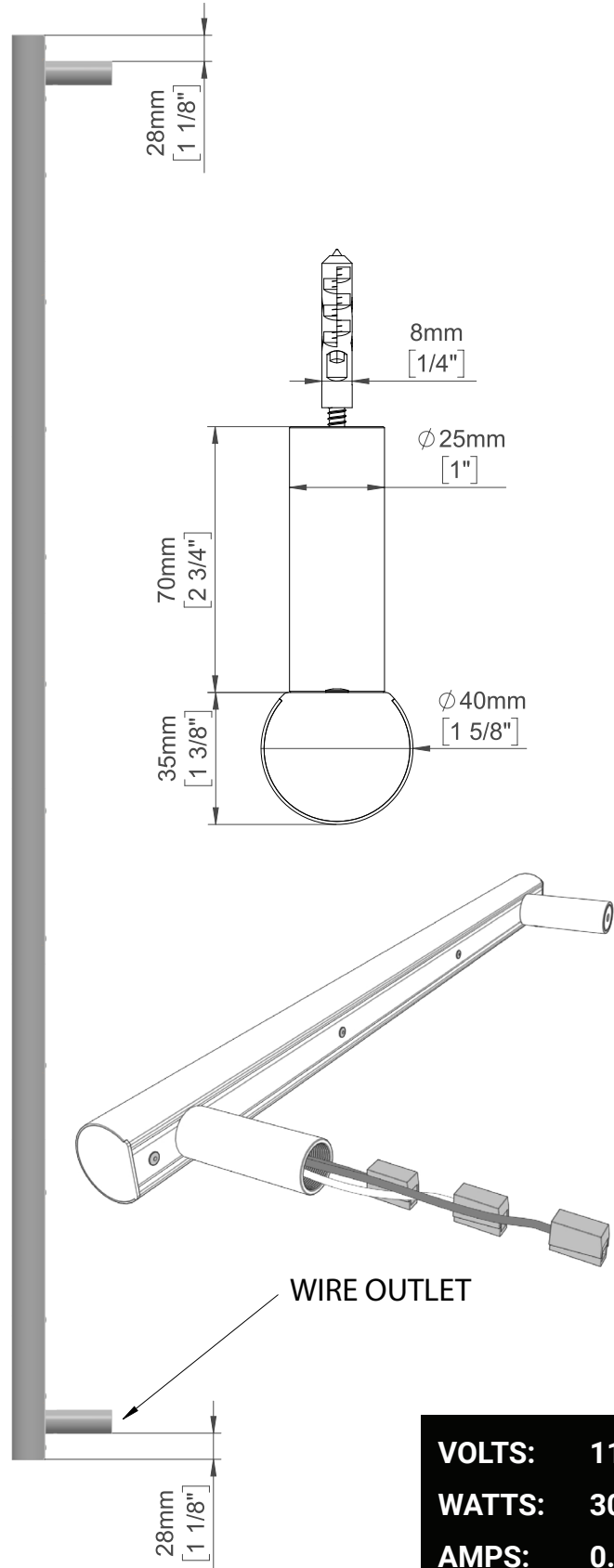
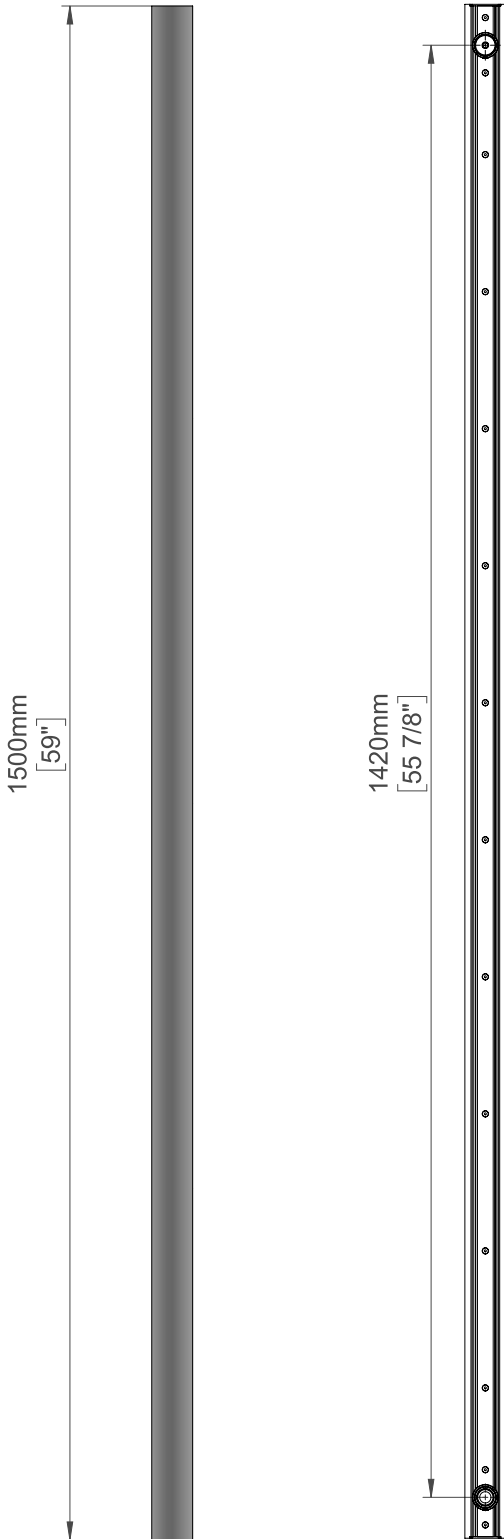
**MODELLO i**  
**MODEL: i59RO**  
**TECHNICAL DRAWING**

**i59RO.P**  
 POLISHED

**i59RO.B**  
 BRUSHED

**i59RO.MB**  
 MATTE BLACK

**i59RO.SB**  
 SATIN BRASS



<b>VOLTS:</b>	<b>115</b>
<b>WATTS:</b>	<b>30</b>
<b>AMPS:</b>	<b>0.25</b>